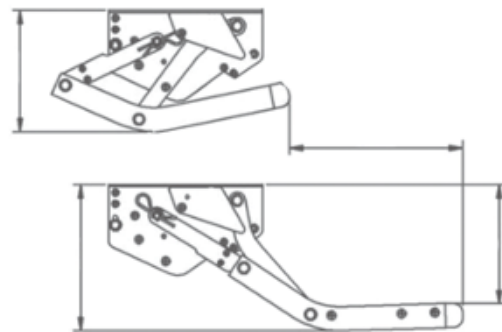
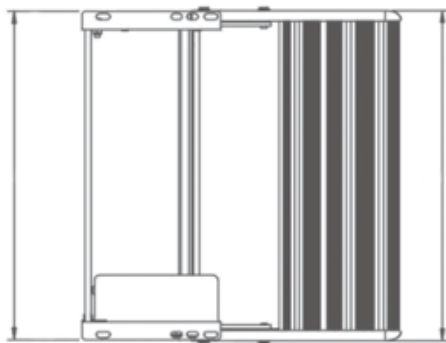
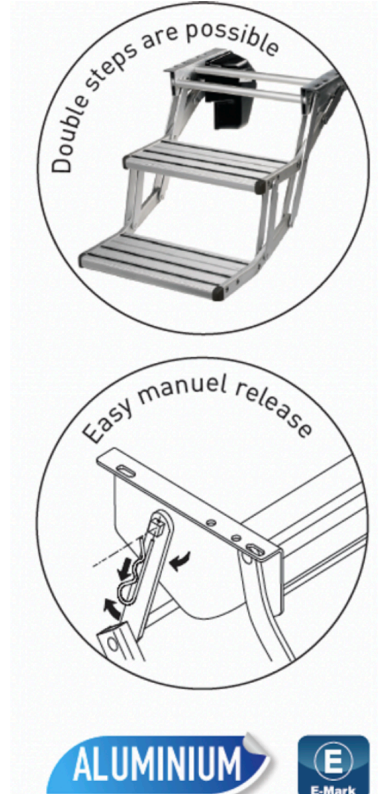


## Datenblatt – Pickpath SW Series



- Corrugated anodised aluminium
- Safe entrance thanks to antislip strips
- All kind of mounting sets are available



DIMENSIONS	A	B	C	D	E	F
PICKPATH SWING 450	455	452	180	220	183	260
PICKPATH SWING 500	520	518	180	220	183	260
PICKPATH SWING 550	550	548	180	220	183	260